



Sushi Display Cases

304 S/S body /wo refrigeration components

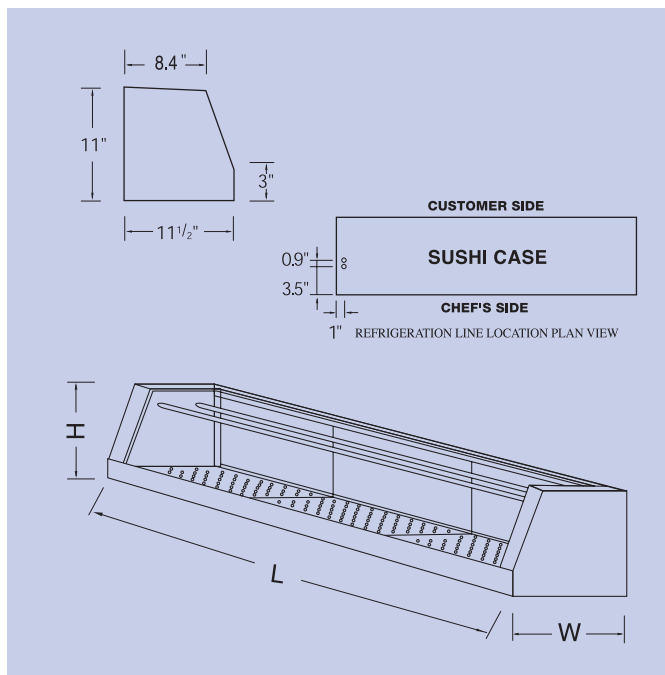


● FEATURES / BENEFITS

- NSF listed under standard NO.7
- All units prepiped and ready for remote refrigeration hookup
- All models supplied with easily removable Tempered glass top, front and back-doors (ANSI standard approved)
- Mirror finished 304 stainless steel
- Does not include refrigeration components



TSSC-6



(unit : inch/lbs)

MODEL	W	L	H	shopping wt.
TSSC-4	11 1/3	48	11	119
TSSC-5	11 1/3	60	11	147
TSSC-6	11 1/3	72	11	171



All shipping weights are approximate.

Although every attempt has been made to ensure the accuracy of the information provided, we cannot be held responsible for typographical or printing errors. Information and specifications are subject to change without notice.

Please confirm at time of order.