

STANDARD FEATURES

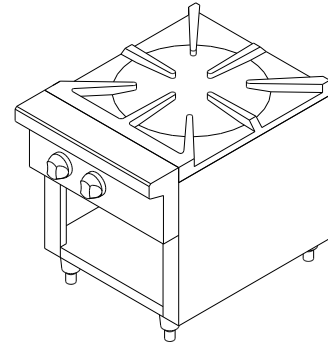
- *Stainless steel exterior.
- *Sturdy base constructed out of corrosion resistant aluminized steel.
- *Removable drip tray for easy cleaning.
- *Heavy one piece cast-iron grate specifically designed to handle constant abuse.
- *6" Adjustable legs.
- *Gas pressure regulator
- *One year limited parts and labor warranty.

BURNERS

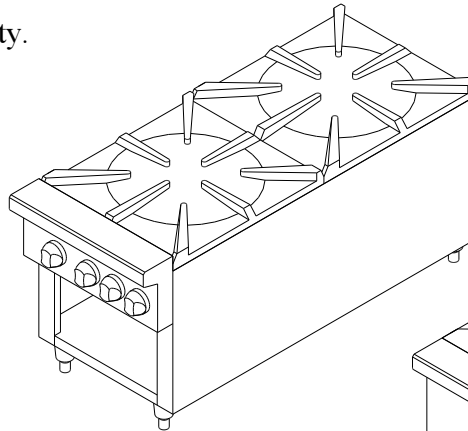
- *(1) 100,000 BTU's/hr 3-Ring Cast-Iron burner per 18" width unit.
- *Brass Jet Burner for high intense heat cooking. (TJBSP18 model)
- *Two infinite heat controlled valves per section (TSP18 models) One valve on TJBSP18 model.
- *Spill-proof pilot ignition system

OPTIONAL FEATURES

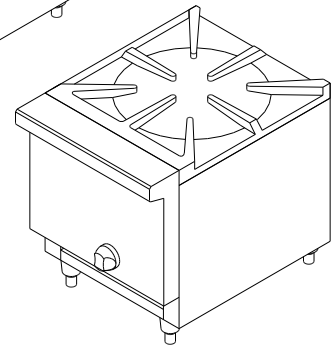
- 6" casters
- Wok and Wok ring
- Double width and double depth units.



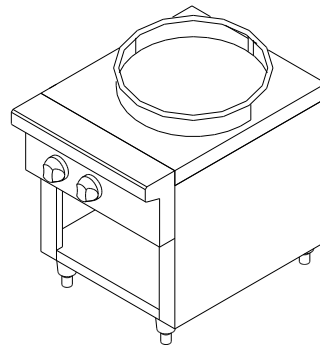
TSP18



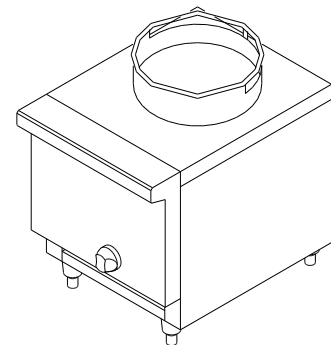
TSP18-2



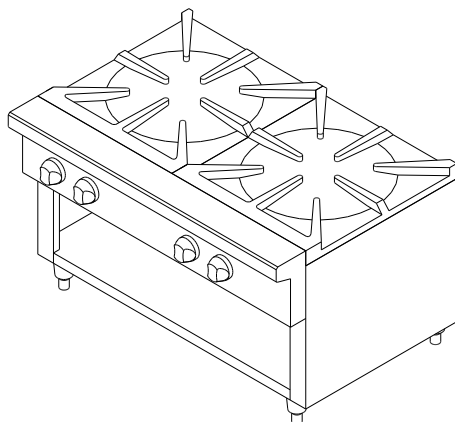
TJBSP18



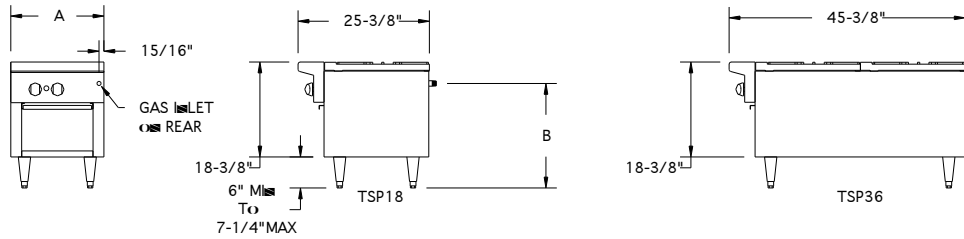
TTWR18



TJBWR18



TSP36



GAS REQUIREMENTS

- *Manifold pressure
 - *5.0" WC Natural Gas (NAT)
 - *10.0" WC Propane Gas (LP)
 - *When ordering please specify Natural or Propane Gas
- *Manifold 3/4" NPT
- *Input rating per burner
 - *3-Ring Cast-Iron burner: 100,000 BTU/Hr
 - *Brass Jet burner: 135,000 BTU/Hr

*TOTAL GAS CONSUMPTION PER MODEL		A	B
*TSP18:	100,000 BTU/Hr	18	20-1/4"
*TSP18-2:	200,000 BTU/Hr	18	20-1/4"
*TSP36:	200,000 BTU/Hr	36	20-1/4"
*TJBSP18:	135,000 BTU/Hr	18	11-7/8"
*TJBWR18:	135,000 BTU/Hr	18	11-7/8"
*TTWR18:	100,000 BTU/Hr	18	20-1/4"

CLEARANCES Sides Back

- *Non Combustible 0" 0"
- *Combustible 12" 12"



WARRANTY
All THERMA-TEK Counter Series are covered by a one year limited parts and labor warranty. A detailed warranty is included with the appliance or is available upon request