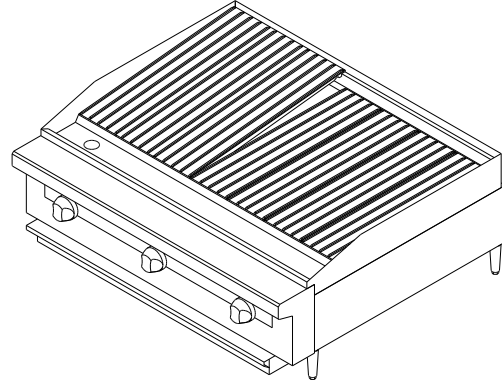


GENERAL SPECIFICATIONS

- *All gas counter series consist of a welded frame construction for strength and durability.
- *Models ranging from 24", 36", 48", 60", 72" are standard sizes.
- *All counter models are range match when placed on equipment stand (optional)

STANDARD FEATURES

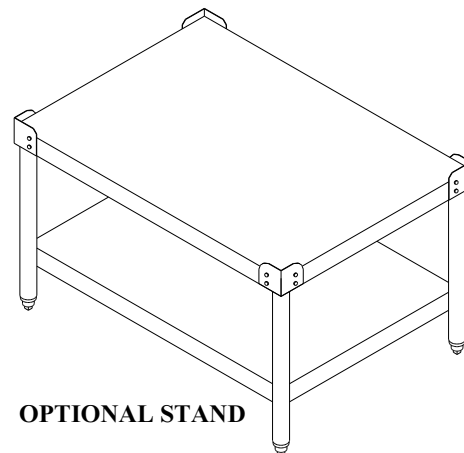
- *Fully stainless steel exterior.
- *4" Adjustable legs.
- *Gas pressure regulator
- *One year limited parts and labor warranty.
- *Easy to remove drip pans.
- *Spatula width grease trough.
- *Adjustable cast iron grates.
- *Heavy duty "U" burners @ 30,000 BTU's per section.
- *Each section is controlled by precision brass valve



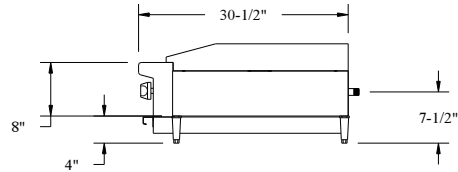
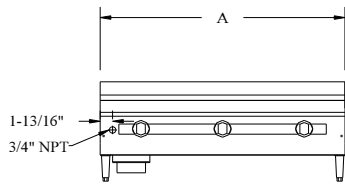
MODEL # TC36CRB (shown)

OPTIONAL FEATURES

Stainless steel equipment stand with bottom shelf,
Sizes: 24", 36", 48", 60", and 72".



OPTIONAL STAND



GAS REQUIREMENTS

*Manifold pressure

*5.0" WC Natural Gas (NAT)

*10.0" WC Propane Gas (LP)

*When ordering please specify Natural or Propane Gas

*Manifold 3/4" NPT

*Input rating per burner

*"U" burner: 30,000 BTU/Hr

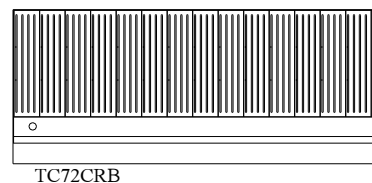
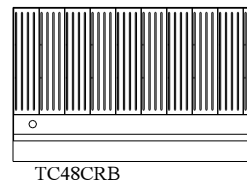
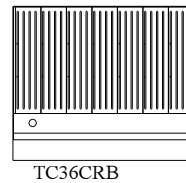
***TOTAL GAS CONSUMPTION PER MODEL**

*TC24CRB:	60,000 BTU/Hr
*TC36CRB:	90,000 BTU/Hr
*TC48CRB:	120,000 BTU/Hr
*TC60CRB:	150,000 BTU/Hr
*TC72CRB:	180,000 BTU/Hr

BURNERS

A

2	24"
3	36"
4	48"
5	60"
6	72"



CLEARANCES

Sides

Back

*Non Combustible

0"

0"

*For use in non combustible locations only

WARRANTY

All THERMA-TEK Counter Series are covered by a one year limited parts and labor warranty. A detailed warranty is included with the appliance or is available upon request

