

PRODUCT:

QUANTITY:

ITEM #:

Models:  EF-15N 208V  EF-15N 240V

## Designed Smart

### Compact Design With High Output

- Fits in tight counter space and is available in 15 lb. capacity.
- Reaches frying temperatures fast, and maintains heat levels from one load to next.
- Cooks 30 lbs. of potatoes in one hour.

### Easy To Operate

- Yellow cycling light alerts operator that unit is ready for next batch of fries.
- Unit automatically shuts down if frying compound overheats.
- Stainless steel exterior is easy to wipe clean.



**MODEL EF-15N 15 LB. CAPACITY ELECTRIC FRYER**

## Built Solid

### Built to Last

- Thick, stainless steel construction protects against kitchen "wear and tear" and rust.
- High temperature wiring is used for long life.

### Reliability backed by APW Wyott's Warranty

- All APW Wyott cooking equipment is backed by a 3-year limited warranty and a one-year on-site labor warranty.
- Tested by the following agencies:



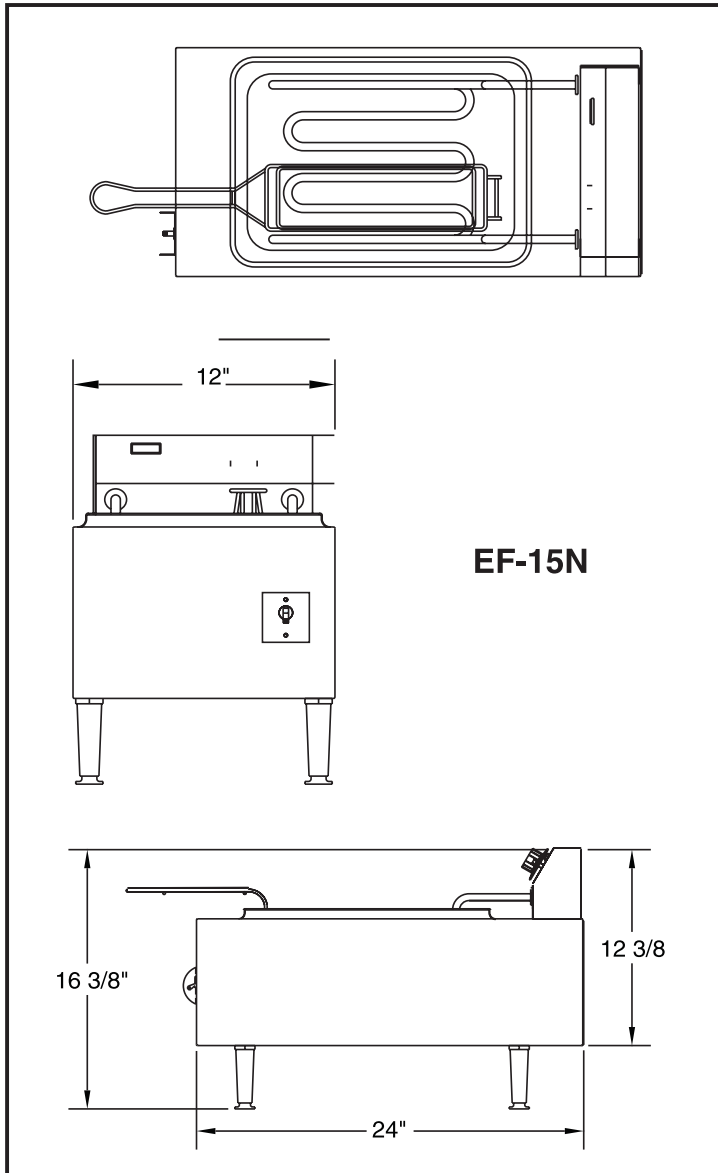
## APW Wyott Design Features

- Stainless steel construction.
- 4" (10 cm) adjustable legs.
- Lightweight unit.
- Lift-out, one-piece stainless steel tank with carrying handles. Large foaming area above frying compound level. Air pocket surrounds tank for improved temperature control.
- Swing-up, pyrolytic heating elements with two-stage locking mechanism.
- Cold zone under heating elements reduces circulation of particles in frying compound.
- Front-located adjustable thermostat (200°F / 93°C to 400°F / 204°C) with on/off switch.
- High-limit protection control circuit breaker which automatically trips should frying compound overheat.
- Control head yellow cycling light indicates frying temperature has been reached.
- High temperature 392° F (200° C) internal wiring.
- Nickel-plated steel fry baskets. EF-15N Model includes two half-size baskets and rear basket hangers.

PRODUCT:

QUANTITY:

ITEM #:



**EF-15N**

Model EF-15N, Countertop Electric Fryer

**PRODUCT SPECIFICATIONS**

**Construction:**

Heavy-duty stainless steel body. Fry baskets are constructed of nickel-plated steel. 4" adjustable chrome legs.

**Electrical Specifications:**

EF-15N 240V: 240V, 5.7 KW, 23.8 Amps

EF-15N 208V: 208V, 4.28 KW, 20.6 Amps

**Electrical Information:**

Units are wired for hard wiring in the field.

**Overall Dimensions:**

EF-15N: 16-3/8" H x 12" W x 24" D  
(41.6 cm x 30.5 cm x 61.0 cm)

**Ship Weight:**

EF-15N: 36 lbs. (16.2 kg), F.O.B. / Cheyenne, WY

**Capacity:**

EF-15N: 15 lbs. (6.8 kg) of frying oil (shortening).  
Produces up to 30 lbs. of raw-to-done potatoes per hour.

**Basket Size:**

Half Size 6.9"H x 3.5"W x 11.4"D