

PRODUCT:

QUANTITY:

ITEM #:

Models: DW-1A HL-1A PD-1A PD-1A-CE

Designed Smart

PD-1A Portable Display Warmers

Maximum Overhead Heat for warming areas

- Unique heating system provides uniform heat over the entire heating surface. Cold or hot spots are not a problem.
- Polished "mirror finished" stainless steel reflectors behind heating elements radiate more heat toward food. APW Wyott is the only Portable Display Warmer system that utilizes this feature.

Easy To Use and Clean

- Lighted switch is a standard feature that keeps your employees aware of the unit's operation.
- Made with "easy to clean" stainless steel.

DW-1A/HL-1A Portable Bulb Warmers

Attractive, sophisticated styling

- Excellent for carving stations, buffets, or catered events.
- Mirror polished stainless steel shade around heat bulb offers a very upscale presentation that augments any serving situation.

Easy To Use and Clean

- DW-1A lamps are adjustable between 16-1/4" and 20" above the warming surface to allow for optimal heat levels on your food.
- HL-1A model is easy to install on counters, requiring only a 3/8" diameter hole. HL-1A Lamps are at a fixed height of 17-3/4" above warming surface.

Built Solid

Most Durable Portable Warmers in the industry

- Stainless steel construction resists corrosion, is easy to clean, and presents an attractive appearance.
- PD-1A Warmers have metal-sheathed heating elements that offer enhanced durability and "consumer safety" vs. quartz tube heating elements that shatter too easily.
- The DW-1A/HL-1A Warmers use shatter proof infrared bulbs.
- High temperature insulated wire is used for long life.

Reliability backed by APW Wyott's Warranty

- All APW Wyott portable display warmers are backed by a 1-year warranty, on heating elements and a 1-year Parts and Labor warranty.



MODEL PD-1A DISPLAY WARMER



MODEL DW-1A DISPLAY WARMER

APW Wyott Design Features

PD-1A

- All stainless steel warmer.
- Unbreakable, infrared metal sheathed tubular heating element! Heavy-duty, won't droop.
- Easy element change out.
- PD-1A – Display base accepts 12" x 20" of fractional pans (sold separately).

DW-1A/HL-1A

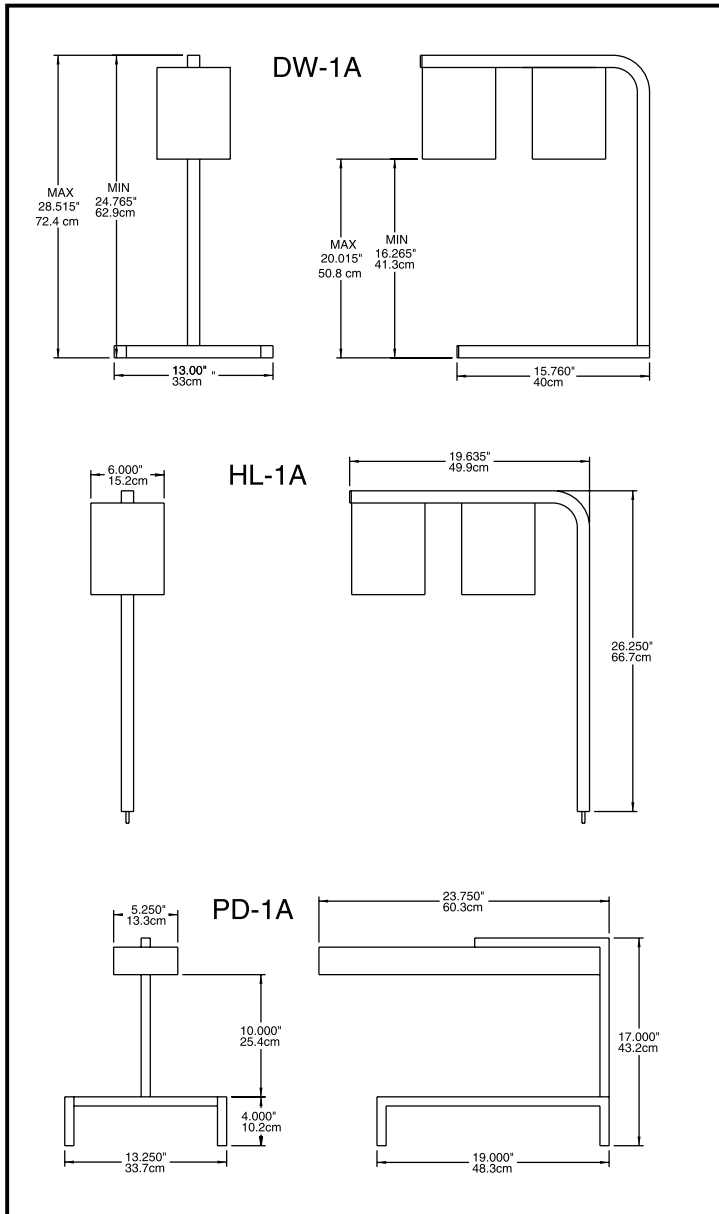
- Attractively styled.
- Stainless steel reflectors.
- Vented at top for maximum bulb life.
- Two 250W infrared bulbs included.
- DW-1A – Display base accepts 12" x 20" of fractional pans (sold separately). 3 3/4" of adjustment on lamp support.

See Reverse Side for product specifications

PRODUCT:

QUANTITY:

ITEM #:



Model DW-1A, HL-1A, and PD-1A

PRODUCT SPECIFICATIONS

Construction:

PD-1A is made of stainless steel, including base. Bulb Shields on HL-1A and DW-1A are made of mirror-polished stainless steel.

Dimensions

PD-1A: 17" H x 13¹/₄" W x 23³/₄" D
(45.1 cm x 34.9 cm x 63.5 cm)

DW-1A: 28¹/₂" H x 13" W x 19²/₃" D
(71.8 cm x 33.0 cm x 49.9 cm)

HL-1A: 26¹/₄" H x 6" W x 19²/₃" D
(66.7 cm x 15.2 cm x 49.9 cm)

* See left for min/ max distance recommendations.

Electrical Information:

Each unit is equipped with a 60", three wire grounded power cord that terminates with a standard three-pronged male plug. 120V units use a NEMA 5-15P plug, 240V units use a NEMA 6-15P plug.

Electrical Specifications

PD-1A: 120V, 575W, 4.8 Amps

PD-1A-CE: 230V, 575W, 2.5 Amps
240V, 575W, 2.3 Amps

DW-1A: 120V, 500W, 4.2 Amps
240V, 500W, 2.0 Amps

HL-1A: 120V, 500W, 4.2 Amps
240V, 500W, 2.0 Amps

Ship Weight

PD-1A: 13 lbs. (5.9 kg)

DW-1A: 16 lbs. (7.3 kg)

HL-1A: 13 lbs. (5.9 kg)

F.O.B. Dallas. TX